

Amendments to the Drawings**BEST AVAILABLE COPY**

The attached 2 sheets of drawings include changes to FIGs. 1-4. The first sheet, which includes FIGs. 1-2, replaces the original sheet including FIGs. 1-2. The second sheet, which includes FIGs. 3-4, replaces the original sheet including FIGs. 3-4. The FIGs. 1-4 were corrected to include the label "Conventional Art" submitted in the proposed drawing corrections of January 22, 2003 that were approved by the Examiner.

Attachment: Replacement Sheet for FIGs. 1-2
 Replacement Sheet for FIGs. 3-4



BEST AVAILABLE COPY

Fig. 1
(Conventional Art)

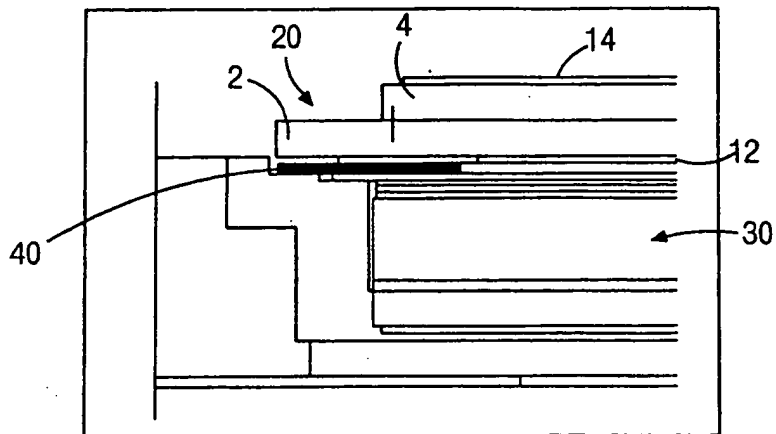
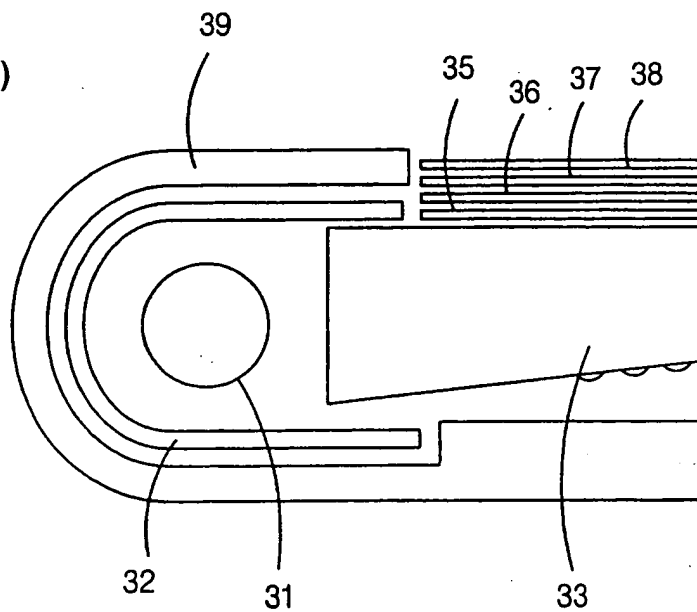


Fig. 2
(Conventional Art)





BEST AVAILABLE COPY

Fig. 3
(Conventional Art)

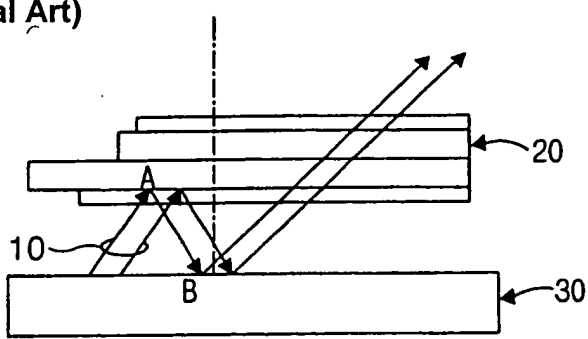


Fig. 4
(Conventional Art)

